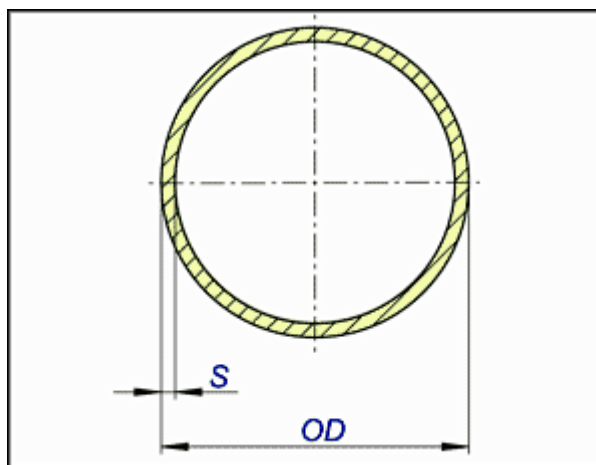


PIPES
 european standards
 10 bar - DIN / BS



Outside diameter of pipe ØD			10 bar	
nominal		actual	Wall thickness	Theoretical weight
inch	ND	mm	actual mm	Kg/m
0.125		10	1.0	0.26
0.25		12	1.0	0.31
0.38	10	16	1.0	0.42
0.5	15	20	1.0	0.53
0.75	20	25	1.5	0.99
1	25	30	1.5	1.20
1.25	32	38	1.5	1.54
1.5	40	44.5	1.5	1.81
2	50	57	1.5	2.34
2.5	65	76.1	2.0	4.16
3	80	88.9	2.0	4.88
4	100	108	2.5	7.41
5	125	133	2.5	9.16
6	150	159	2.5	10.99
7	175	193.7	2.5	13.43
8	200	219.1	3.0	18.21
10	250	267	3.0	22.24
12	300	323.9	4.0	35.94
14	350	368	4.0	40.89
16	400	419.1	4.0	46.62
18	450	457.2	4.0	50.91
20	500	508	4.5	63.63
24	600	610	5.0	84.96
28	700	711	6.0	118.80
32	800	813	6.0	135.99
36	900	914	8.0	203.57